

REFERENCE : KI0903

SIZES : U

COMPOSITION :

Main fabric : Polyester 1680D PU backing 100%polyester

Lining : Polyester 210D PU backing - 75 As internal lining.
100%polyester

Mesh : Polyester puffy mesh On back panel + back side of the
shoulder straps + back side of shoulder pad. 100%polyester

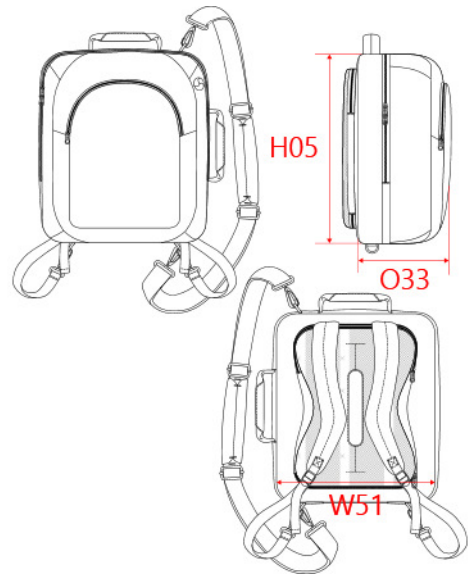
Material 2 : Synthetic fabric - Polyester with shiny PVC coating
- 400 As decoration on top handle. 100%polyester - Polyvinyl
chloride coating

TECHNICAL DETAIL :

PU backing

ARTICLE WEIGHT :

980 gr/pc



DESCRIPTION
Français : Sac à dos ordinateur
English : Laptop backpack
Nederlands : Laptop backpack
Deutsch : Laptop-Rucksack combo tasche
Español : Bolsa multi-función para ordenador
Italiano : Zaino cartella business convertibile
Português : Mochila para computador

COLORS	PANTONE SERIGRAPHIE
Black	Black

MEASUREMENT							
Description	U						
H05 Hauteur totale / Total height	40						
W51 Total width	34						
O33 Deep of bottom part	19						

PACKING	
Box	10 pcs / box U => L:48cm W:38cm H:54cm GW:10,8kg NW:9,8kg